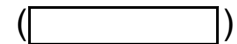


PARTS CATALOGUE

MX200A2E-T (7DB1) CHN,CSA,EUR,SEA,TUR



1S7DB-300E1



MX200A2E-T
PARTS CATALOGUE
©2017 by Yamaha Motor Co., Ltd.
1st edition, November 2017
All rights reserved.
Any reprinting or unauthorized use
without the written permission of
Yamaha Motor Co., Ltd.
is expressly prohibited.
Printed in Japan.

FOREWORD

This Parts Catalogue is related to the parts for the model(s) on the cover page. When you are ordering replacement parts, please refer to this Parts Catalogue and quote both part numbers and part names correctly.

1. Modifications or additions which have been made after the issue of the Parts Catalogue will be announced in the Parts News.
It is advisable that you make the necessary corrections to the Parts Catalogue according to the Parts News.

2. Abbreviations

The following abbreviations are used in this Parts Catalogue.

“UR” Use specified parts number.

“UN” Use as many as needed.

“AP” Alternate Parts

“LM” Locally Made (Parts need to be ordered locally)

“F#” Frame No. (Applicable machine No.)

“O/S” Over Size

3. The number of components for assembly

- Parts, which are to be supplied in an assembly, are listed with a dot (.) in front of the part name as shown below.
- The numeral appearing to the right of each component part indicates the quantity of parts for each assembly unit.

| PART NO. | DESCRIPTION | Q'TY | REMARKS |
|--------------|--------------------------|------|---------|
| 2F5-83310-60 | FRONT FLASHER LIGHT ASSY | 2 | |
| 115-83311-60 | .BULB (6V-18W) | 1 | |

4. Applicable colours of graphics are represented in the “REMARKS” as shown below.

| PART NO. | DESCRIPTION | Q'TY | REMARKS |
|-----------------|---------------------|------|---------|
| 2N4-24110-00-X5 | FUEL TANK COMP. | 2 | MXR |
| 3J1-24240-10 | .GRAPHIC, FUEL TANK | 1 | FOR MXR |

5. Note that the illustrations for reference in finding parts numbers are not to be used for assembling. When assembling, please use the applicable service manual.

6. The asterisk (*) before a reference number indicates modified items after the first edition.

FOREWORD

Engine Serial No.

This parts catalogue is related to the parts for the models in the list below.

| MODEL CODE | MODEL NAME | SPECIFICATION (OUT LINE) | ENGINE SERIAL NO. |
|------------|------------|---------------------------------------|-------------------|
| 7DB1 | MX200A2E-T | P.T.O. SHAFT A TYPE, MOUNT FACE (UNF) | 7DB1-1000101 |

CONTENTS

| | |
|---------------------------|----|
| CYLINDER..... | 1 |
| CRANKSHAFT..... | 2 |
| CRANKSHAFT & PISTON..... | 3 |
| GOVERNOR..... | 4 |
| CAMSHAFT & VALVE..... | 5 |
| AIR SHROUD & STARTER..... | 6 |
| INTAKE..... | 7 |
| CARBURETOR..... | 8 |
| EXHAUST..... | 9 |
| CRANKCASE..... | 10 |
| FUEL TANK..... | 11 |
| TCI MAGNETO..... | 12 |
| ELECTRICAL..... | 13 |
| EMBLEM & LABEL..... | 14 |

INDEX

| | |
|----------------------|----|
| NUMERICAL INDEX..... | 15 |
|----------------------|----|

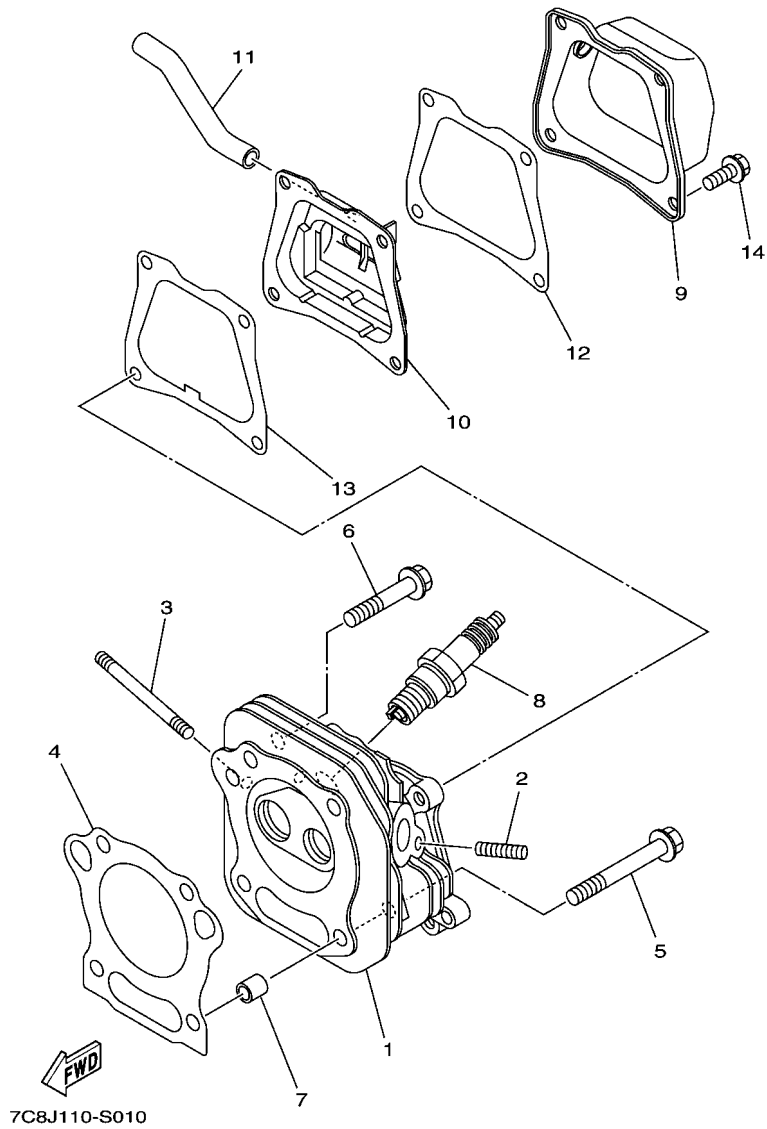
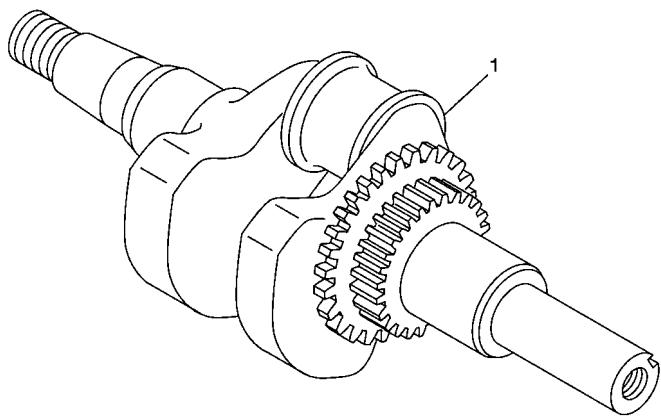
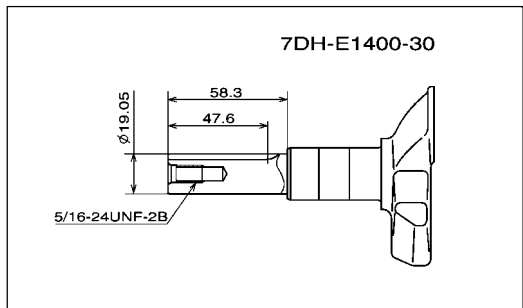


FIG. 1 CYLINDER

| REF. NO. | PART NO. | DESCRIPTION | 7DB1 | | | | REMARKS |
|----------|--------------|--------------------------|------|--|--|--|---------|
| 1 | 7DB-E1111-00 | HEAD, CYLINDER 1 | 1 | | | | |
| 2 | 95622-08618 | BOLT, STUD | 2 | | | | |
| 3 | 95622-06700 | BOLT, STUD | 2 | | | | |
| 4 | 7DH-E1181-01 | GASKET, CYLINDER HEAD 1 | 1 | | | | |
| 5 | 95822-08065 | BOLT, FLANGE | 2 | | | | |
| 6 | 95822-08045 | BOLT, FLANGE | 2 | | | | |
| 7 | 99530-10114 | PIN, DOWEL | 2 | | | | |
| 8 | 94702-00819 | PLUG, SPARK (NGK BPR4ES) | 1 | | | | |
| 9 | 7CN-E1191-00 | COVER, CYLINDER HEAD 1 | 1 | | | | |
| 10 | 7CN-E1160-00 | BREATHER ASSY | 1 | | | | |
| 11 | 90445-13812 | HOSE | 1 | | | | |
| 12 | 7CN-E1169-02 | GASKET, BREATHER COVER | 1 | | | | |
| 13 | 7CN-E1193-00 | GASKET, HEAD COVER 1 | 1 | | | | |
| 14 | 95822-06012 | BOLT, FLANGE | 4 | | | | |

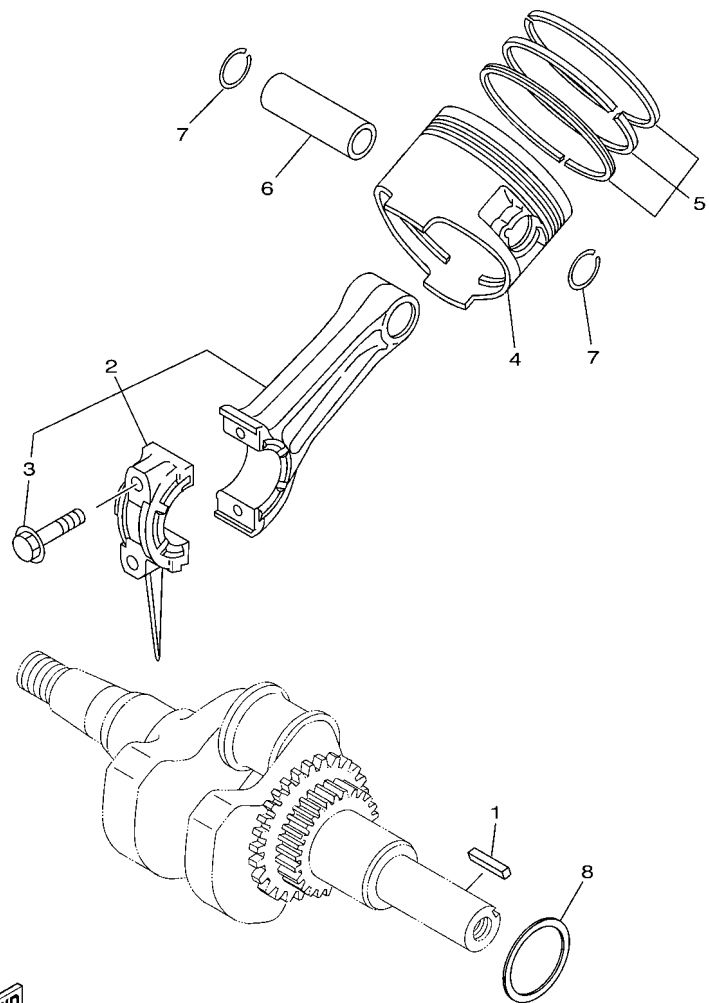
FIG. 2 CRANKSHAFT

| REF. NO. | PART NO. | DESCRIPTION | 7DB1 | | | | REMARKS |
|----------|--------------|-----------------|------|--|--|--|---------|
| 1 | 7DH-E1400-30 | CRANKSHAFT ASSY | 1 | | | | |
| | | | | | | | |
| | | | | | | | |
| | | | | | | | |
| | | | | | | | |
| | | | | | | | |
| | | | | | | | |
| | | | | | | | |
| | | | | | | | |
| | | | | | | | |



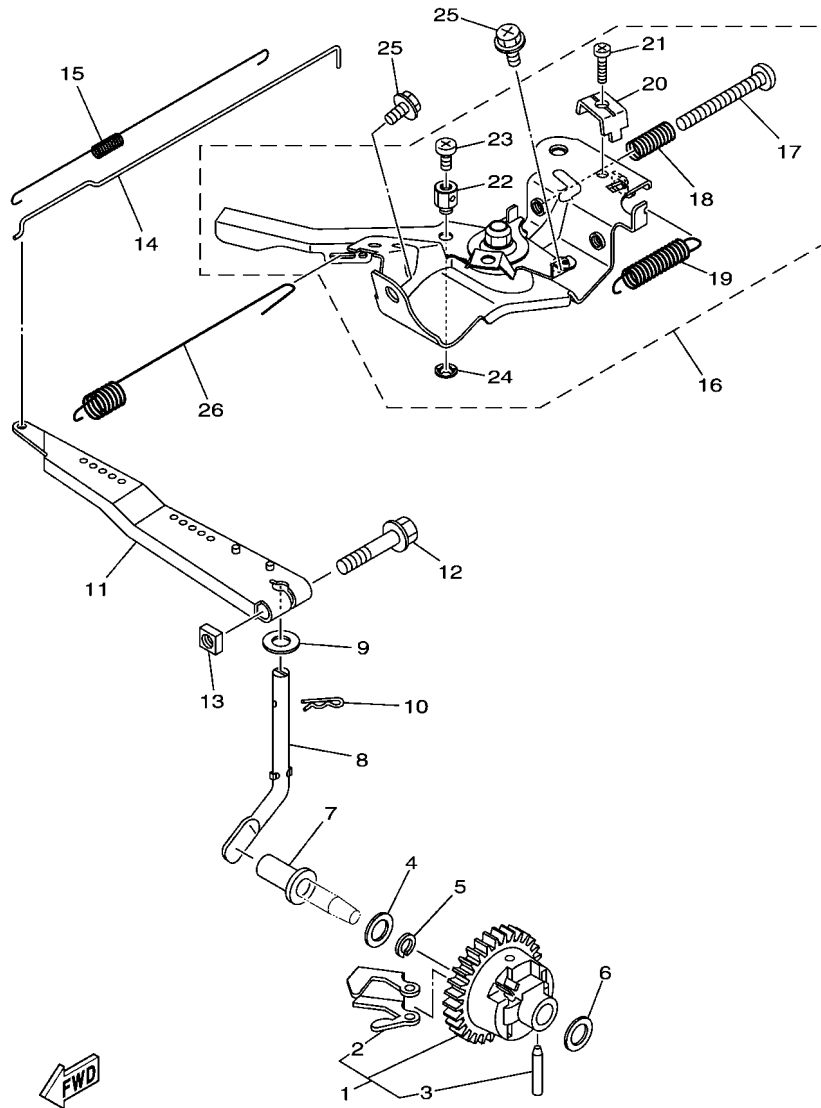
7DHJ400-K020

FIG. 3 CRANKSHAFT & PISTON




7CN1200-C030

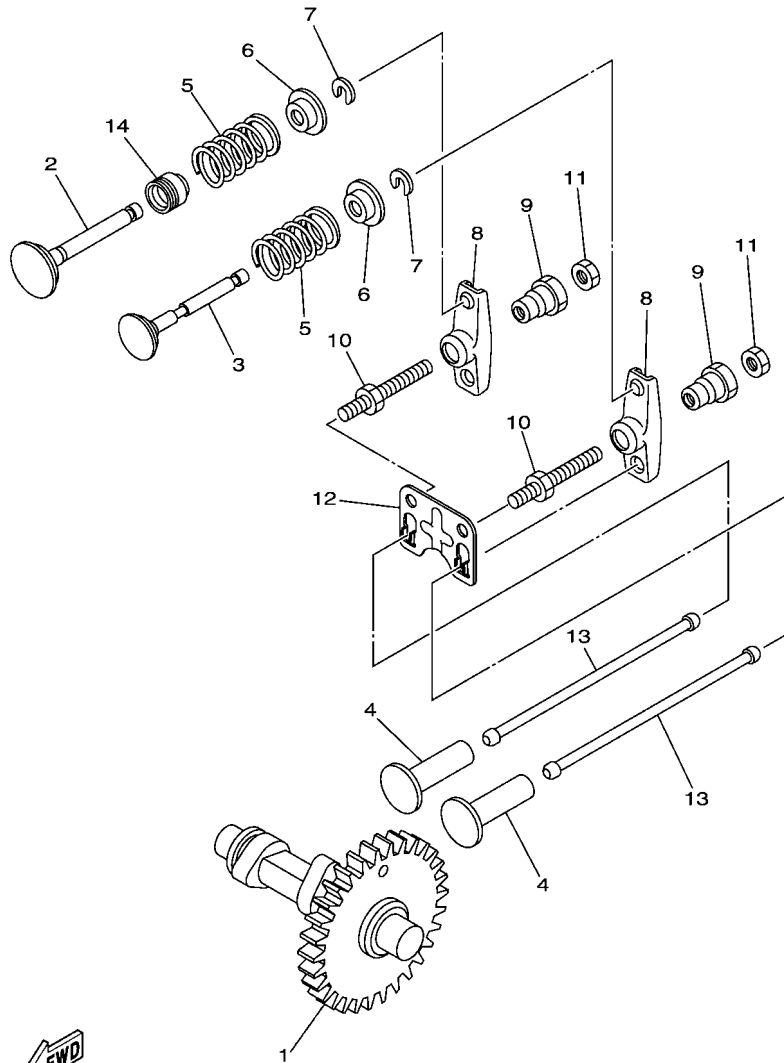
| REF. NO. | PART NO. | DESCRIPTION | 7DB1 | | | | REMARKS |
|----------|-----------------|------------------------------|------|--|--|--|---------|
| 1 | 90282-05035 | KEY, STRAIGHT (4.7MMX35MM) | 1 | | | | |
| 2 | 7CN-E1650-11 | CONNECTING ROD ASSY | 1 | | | | |
| 3 | 7CN-E1654-00 | .BOLT, CONNECTING ROD | 2 | | | | |
| 4 | 7DH-E1631-10-A0 | PISTON (STD) | 1 | | | | |
| | 7DH-E1635-00 | PISTON (0.25MM O/S) | 1 | | | | AP |
| | 7DH-E1636-00 | PISTON (0.50MM O/S) | 1 | | | | AP |
| 5 | 7D9-E1610-00 | PISTON RING SET (STD) | 1 | | | | |
| | 7D9-E1610-10 | PISTON RING SET (0.25MM O/S) | 1 | | | | AP |
| | 7D9-E1610-20 | PISTON RING SET (0.50MM O/S) | 1 | | | | AP |
| 6 | 7CN-E1633-00 | PIN, PISTON | 1 | | | | |
| 7 | 93450-17828 | CIRCLIP | 2 | | | | |
| 8 | 7CN-E1561-00 | SHIM, CRANK 1 (T=0.1) | 1 | | | | |



7DBJ110-S040

FIG. 4 GOVERNOR

| REF. NO. | PART NO. | DESCRIPTION | 7DB1 | | | | REMARKS |
|----------|--------------|----------------------|------|--|--|--|---------|
| 1 | 7CN-E1970-10 | FLYWEIGHT SHAFT ASSY | 1 | | | | |
| 2 | 7CN-E1913-00 | .WEIGHT | 2 | | | | |
| 3 | 7CT-E1914-00 | .SHAFT, WEIGHT | 2 | | | | |
| 4 | 90201-06842 | WASHER, PLATE | 1 | | | | |
| 5 | 93440-06826 | CIRCLIP | 1 | | | | |
| 6 | 90201-06842 | WASHER, PLATE | 1 | | | | |
| 7 | 7CN-E1917-00 | COLLAR | 1 | | | | |
| 8 | 7CN-E1922-00 | FORK, GOVERNOR | 1 | | | | |
| 9 | 92902-06200 | WASHER | 1 | | | | |
| 10 | 90468-18800 | CLIP | 1 | | | | |
| 11 | 7DB-E1924-00 | ARM, GOVERNOR | 1 | | | | |
| 12 | 97522-06530 | BOLT, WITH WASHER | 1 | | | | |
| 13 | 90173-06802 | NUT, SQUARE | 1 | | | | |
| 14 | 7DB-E1928-00 | ROD, LINK | 1 | | | | |
| 15 | 90506-04803 | SPRING, TENSION | 1 | | | | |
| 16 | 7DB-G1240-01 | THROTTLE LEVER COMP. | 1 | | | | |
| 17 | 98502-05545 | .SCREW, PAN HEAD | 1 | | | | |
| 18 | 90501-090A8 | .SPRING, COMPRESSION | 1 | | | | |
| 19 | 7DB-E4275-00 | .SPRING | 1 | | | | |
| 20 | 7HC-E1933-00 | .PLATE, ADJUST | 1 | | | | |
| 21 | 98502-05016 | .SCREW, PAN HEAD | 1 | | | | |
| 22 | 7DB-E1932-00 | .SETTER, WIRE | 1 | | | | |
| 23 | 98502-04006 | .SCREW, PAN HEAD | 1 | | | | |
| 24 | 99001-04600 | .CIRCLIP | 1 | | | | |
| 25 | 95822-06012 | BOLT, FLANGE | 2 | | | | |
| 26 | 7DB-E1925-00 | SPRING, GOVERNOR | 1 | | | | |

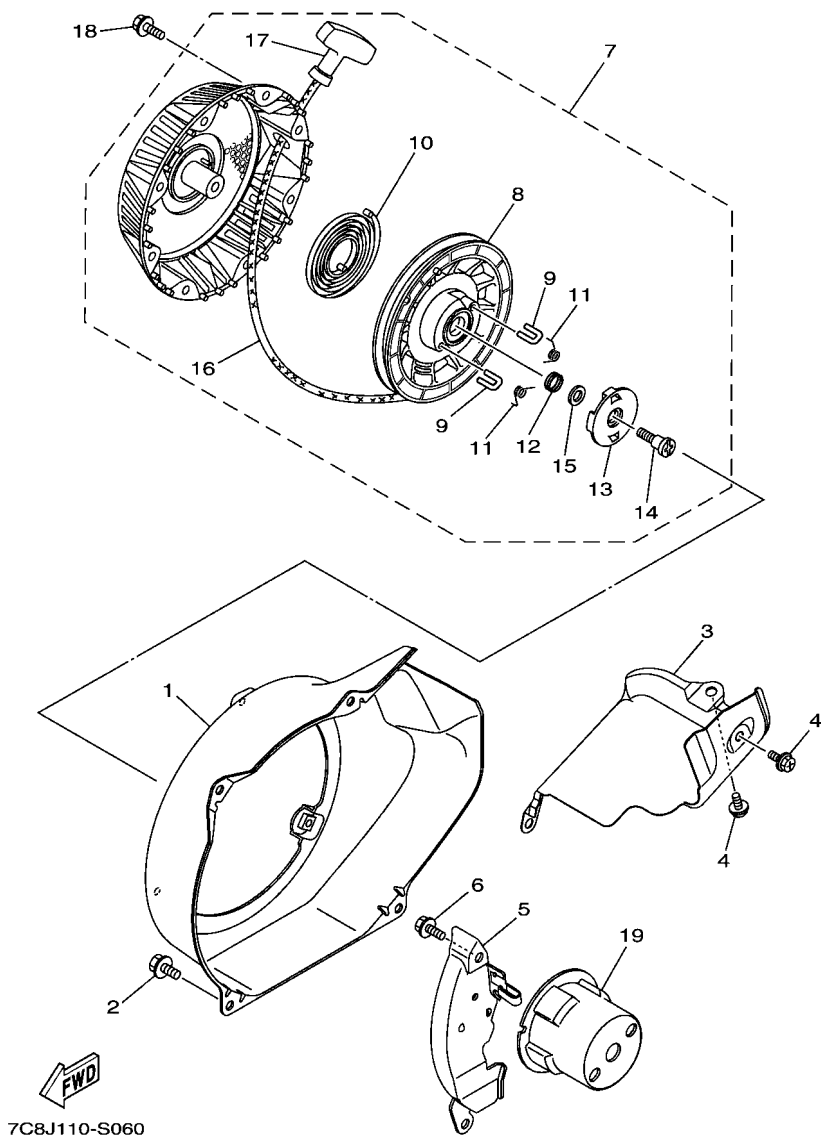


7C8J110-S050

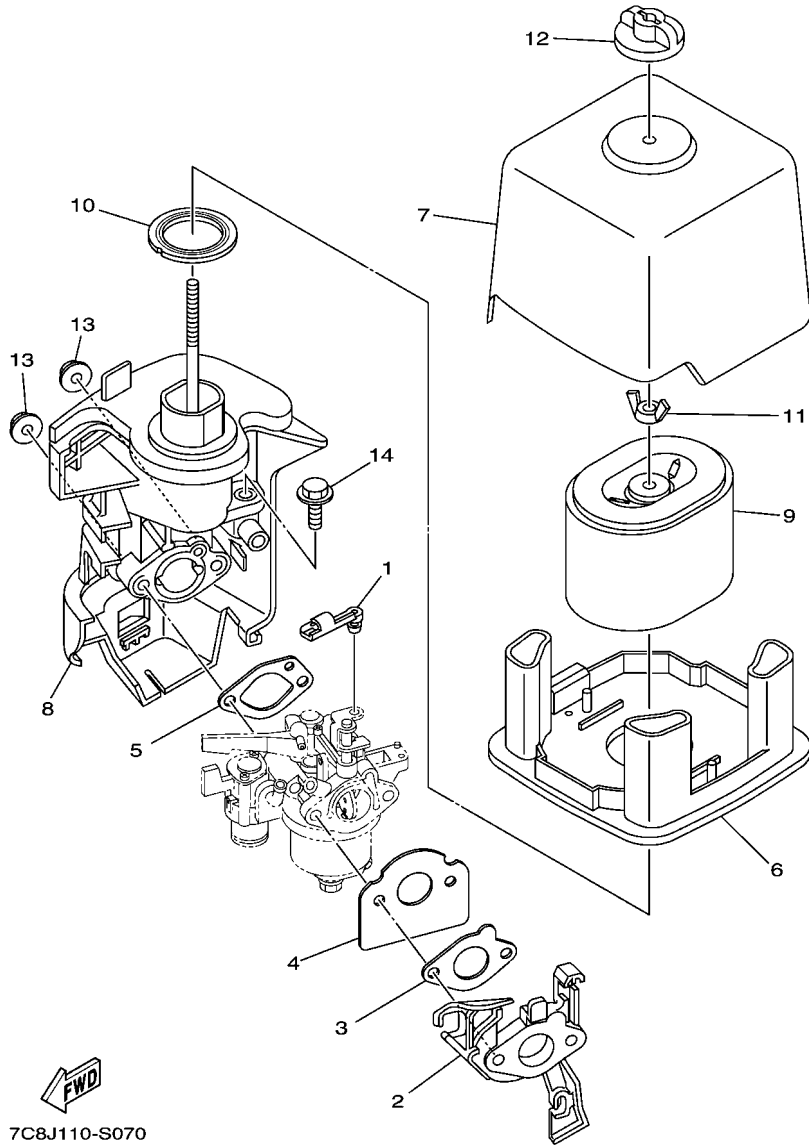
FIG. 5 CAMSHAFT & VALVE

| REF. NO. | PART NO. | DESCRIPTION | 7DB1 | | | | REMARKS |
|----------|--------------|-----------------------------|------|--|--|--|---------|
| 1 | 7CN-E2180-00 | CAMSHAFT ASSY 2 | 1 | | | | |
| 2 | 7DH-E2111-10 | VALVE, INTAKE | 1 | | | | |
| 3 | 7CN-E2121-00 | VALVE, EXHAUST | 1 | | | | |
| 4 | 7CN-E2153-00 | LIFTER, VALVE | 2 | | | | |
| 5 | 90501-20800 | SPRING, COMPRESSION | 2 | | | | |
| 6 | 7CN-E2117-00 | RETAINER, VALVE SPRING | 2 | | | | |
| 7 | 7CN-E2118-00 | LOCK, VALVE SPRING RETAINER | 2 | | | | |
| 8 | 7CN-E2151-00 | ARM, VALVE ROCKER | 2 | | | | |
| 9 | 7CN-E2165-00 | PIVOT, ROCKER ARM | 2 | | | | |
| 10 | 7CN-E2157-01 | BOLT | 2 | | | | |
| 11 | 7CN-E2158-01 | NUT, LOCK | 2 | | | | |
| 12 | 7DB-E2155-00 | GUIDE, PUSH ROD | 1 | | | | |
| 13 | 7CN-E2154-00 | ROD, VALVE PUSH | 2 | | | | |
| 14 | 7DH-E2119-01 | SEAL, VALVE STEM | 1 | | | | |

FIG. 6 AIR SHROUD & STARTER



| REF. NO. | PART NO. | DESCRIPTION | 7DB1 | | | | REMARKS |
|----------|--------------|------------------------|------|--|--|--|---------|
| 1 | 7DB-E2621-00 | CASE, FAN | 1 | | | | |
| 2 | 95802-06012 | BOLT, FLANGE | 4 | | | | |
| 3 | 7DB-E2651-00 | AIR SHROUD, CYLINDER 1 | 1 | | | | |
| 4 | 95802-06010 | BOLT, FLANGE | 2 | | | | |
| 5 | 7DB-E262E-00 | SHROUD, 2 | 1 | | | | |
| 6 | 95802-06012 | BOLT, FLANGE | 1 | | | | |
| 7 | 7DB-E5710-00 | STARTER ASSY | 1 | | | | |
| 8 | 7DB-E5714-00 | .DRUM, SHEAVE | 1 | | | | |
| 9 | 7DB-E5741-00 | .PAWL, DRIVE | 2 | | | | |
| 10 | 7DB-E5713-00 | .SPRING, STARTER | 1 | | | | |
| 11 | 7DB-E5715-00 | .SPRING, FRICTION | 2 | | | | |
| 12 | 7DB-E5743-00 | .SPRING, RETURN | 1 | | | | |
| 13 | 7DB-E5716-00 | .PLATE, DRIVE | 1 | | | | |
| 14 | 7HC-E5793-00 | .SCREW | 1 | | | | |
| 15 | 7DB-E5719-00 | .WASHER, THRUST | 1 | | | | |
| 16 | 7CN-E5751-00 | .WIRE, STARTER | 1 | | | | |
| 17 | 7CN-E5755-00 | .HANDLE, STARTER | 1 | | | | |
| 18 | 90105-068C0 | BOLT, FLANGE | 3 | | | | |
| 19 | 7DB-E5723-00 | PULLEY, STARTER | 1 | | | | |

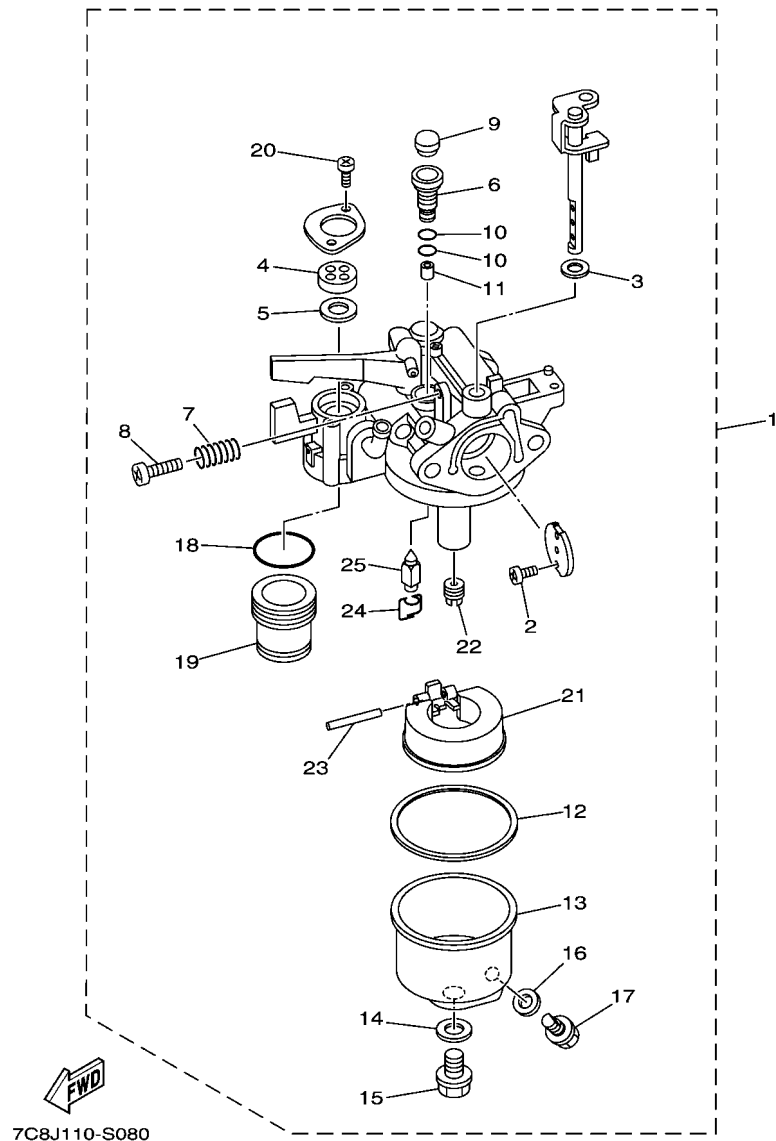


7C8J110-S070

FIG. 7 INTAKE

| REF. NO. | PART NO. | DESCRIPTION | 7DB1 | | | | REMARKS |
|----------|--------------|---------------------------|------|--|--|--|---------|
| 1 | 7UC-G384A-00 | BOSS, ROD END | 1 | | | | |
| 2 | 7DB-E3596-00 | JOINT, CARBURETOR 2 | 1 | | | | |
| 3 | 7CN-E3557-12 | GASKET | 1 | | | | |
| 4 | 7DB-E3557-00 | GASKET | 1 | | | | |
| 5 | 7CN-E3567-12 | GASKET | 1 | | | | |
| 6 | 7DB-E4411-00 | CASE, AIR CLEANER 1 | 1 | | | | |
| 7 | 7DB-E4412-00 | CAP, CLEANER CASE 1 | 1 | | | | |
| 8 | 7DB-E4430-00 | DUCT ASSY | 1 | | | | |
| 9 | 7DB-E4450-00 | ELEMENT ASSY, AIR CLEANER | 1 | | | | |
| 10 | 90430-33801 | GASKET | 1 | | | | |
| 11 | 90175-06809 | NUT, WING | 1 | | | | |
| 12 | 7DB-E4439-00 | NUT | 1 | | | | |
| 13 | 95702-06500 | NUT, FLANGE | 2 | | | | |
| 14 | 95802-06016 | BOLT, FLANGE | 1 | | | | |

FIG. 8 CARBURETOR



| REF. NO. | PART NO. | DESCRIPTION | 7DB1 | | | | REMARKS |
|----------|--------------|--------------------------|------|--|--|--|---------|
| 1 | 7DB-E4301-00 | CARBURETOR ASSY 1 | 1 | | | | |
| 2 | 7BX-E4216-00 | .SCREW | 2 | | | | |
| 3 | 7HC-E4239-00 | .SEAL | 1 | | | | |
| 4 | 7DB-E4199-00 | .GASKET | 1 | | | | |
| 5 | 7DB-E4366-00 | .WASHER, WAVE | 1 | | | | |
| 6 | 7DB-E4942-00 | .JET, PILOT | 1 | | | | |
| 7 | 7DB-E4212-00 | .SPRING, PILOT ADJUSTING | 1 | | | | |
| 8 | 7HC-E4922-00 | .SCREW, THROTTLE | 1 | | | | |
| 9 | 7DB-E4293-00 | .COVER 1 | 1 | | | | |
| 10 | 7DB-E416A-00 | .O-RING | 2 | | | | |
| 11 | 7DB-E4A42-20 | .JET, PILOT | 1 | | | | |
| 12 | 7DB-E4184-00 | .GASKET, FLOAT CHAMBER | 1 | | | | |
| 13 | 7DB-E4A81-00 | .BODY, FLOAT CHAMBER 1 | 1 | | | | |
| 14 | 7HC-E4227-00 | .WASHER | 1 | | | | |
| 15 | 7HC-E4162-00 | .BOLT, HOLDING | 1 | | | | |
| 16 | 7DB-E4198-00 | .GASKET | 1 | | | | |
| 17 | 7DB-E4191-00 | .PLUG, DRAIN | 1 | | | | |
| 18 | 7DB-E4147-00 | .O-RING | 1 | | | | |
| 19 | 7DB-E4689-00 | .CUP | 1 | | | | |
| 20 | 7BX-E4216-00 | .SCREW | 2 | | | | |
| 21 | 7DB-E4185-00 | .FLOAT | 1 | | | | |
| 22 | 7DB-E4A43-77 | .JET, MAIN | 1 | | | | |
| 23 | 7DB-E4186-00 | .PIN, FLOAT | 1 | | | | |
| 24 | 7DB-E4159-00 | .CLIP | 1 | | | | |
| 25 | 7DB-E4150-00 | .NEEDLE ASSY | 1 | | | | |

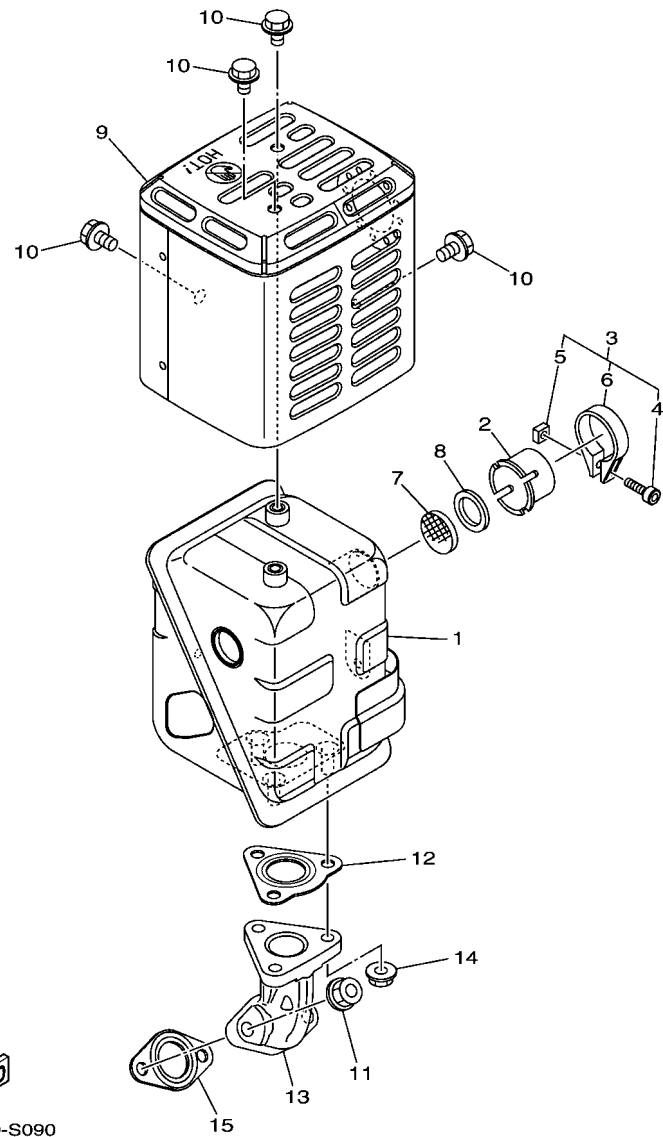
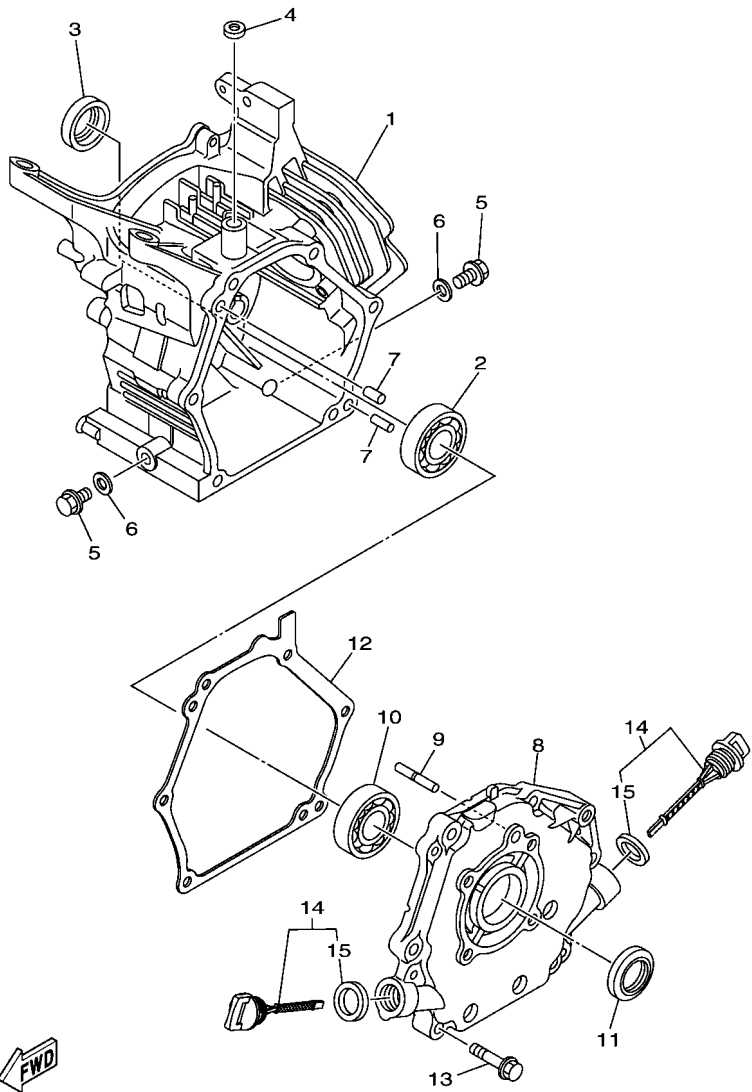


FIG. 9 EXHAUST

| REF. NO. | PART NO. | DESCRIPTION | 7DB1 | | | | REMARKS |
|----------|--------------|----------------------|------|--|--|--|---------|
| 1 | 7DB-E4711-10 | MUFFLER 1 | 1 | | | | |
| 2 | 7CA-E4799-00 | CAP | 1 | | | | |
| 3 | 7DX-E4788-00 | BAND, SILENCER | 1 | | | | |
| 4 | 7DX-E4777-00 | .BOLT | 1 | | | | |
| 5 | 7DX-E4775-00 | .NUT | 1 | | | | |
| 6 | 7DX-E477R-00 | .BAND 1 | 1 | | | | |
| 7 | 7CA-E479E-00 | NET, WIRE 2 | 1 | | | | |
| 8 | 90201-17802 | WASHER, PLATE | 1 | | | | |
| 9 | 7DB-E4708-00 | PROTECTOR ASSY | 1 | | | | |
| 10 | 95822-06008 | BOLT, FLANGE | 4 | | | | |
| 11 | 95702-08500 | NUT, FLANGE | 2 | | | | |
| 12 | 7DB-E4623-00 | GASKET, EXHAUST PIPE | 1 | | | | |
| 13 | 7DB-E4611-00 | PIPE, EXHAUST 1 | 1 | | | | |
| 14 | 95704-06500 | NUT, FLANGE | 3 | | | | |
| 15 | 7DB-E4613-00 | GASKET, EXHAUST PIPE | 1 | | | | |

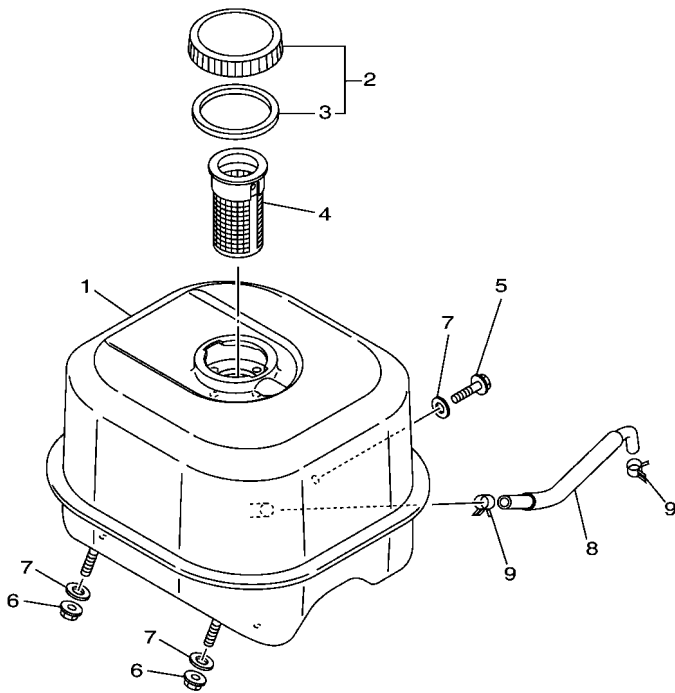


7C8J110-S100

FIG. 10 CRANKCASE

| REF. NO. | PART NO. | DESCRIPTION | 7DB1 | | | | REMARKS |
|----------|--------------|---------------------------|------|--|--|--|---------|
| 1 | 7DB-E5121-00 | CRANKCASE 2 | 1 | | | | |
| 2 | 93306-206Y5 | BEARING | 1 | | | | |
| 3 | 93102-25806 | OIL SEAL | 1 | | | | |
| 4 | 93104-06800 | OIL SEAL | 1 | | | | |
| 5 | 95022-10016 | BOLT, FLANGE | 2 | | | | |
| 6 | 90430-10801 | GASKET | 2 | | | | |
| 7 | 99530-08016 | PIN, DOWEL | 2 | | | | |
| 8 | 7DB-E5411-00 | COVER, CRANKCASE 1 | 1 | | | | |
| 9 | 7CN-E1971-00 | SHAFT, FLYWEIGHT | 1 | | | | |
| 10 | 93306-255Y3 | BEARING | 1 | | | | |
| 11 | 93102-25805 | OIL SEAL | 1 | | | | |
| 12 | 7CN-E5451-10 | GASKET, CRANKCASE COVER 1 | 1 | | | | |
| 13 | 95822-08035 | BOLT, FLANGE | 6 | | | | |
| 14 | 7BX-E536A-00 | PLUG, OIL LEVEL | 2 | | | | |
| 15 | 90430-17801 | .GASKET | 1 | | | | |

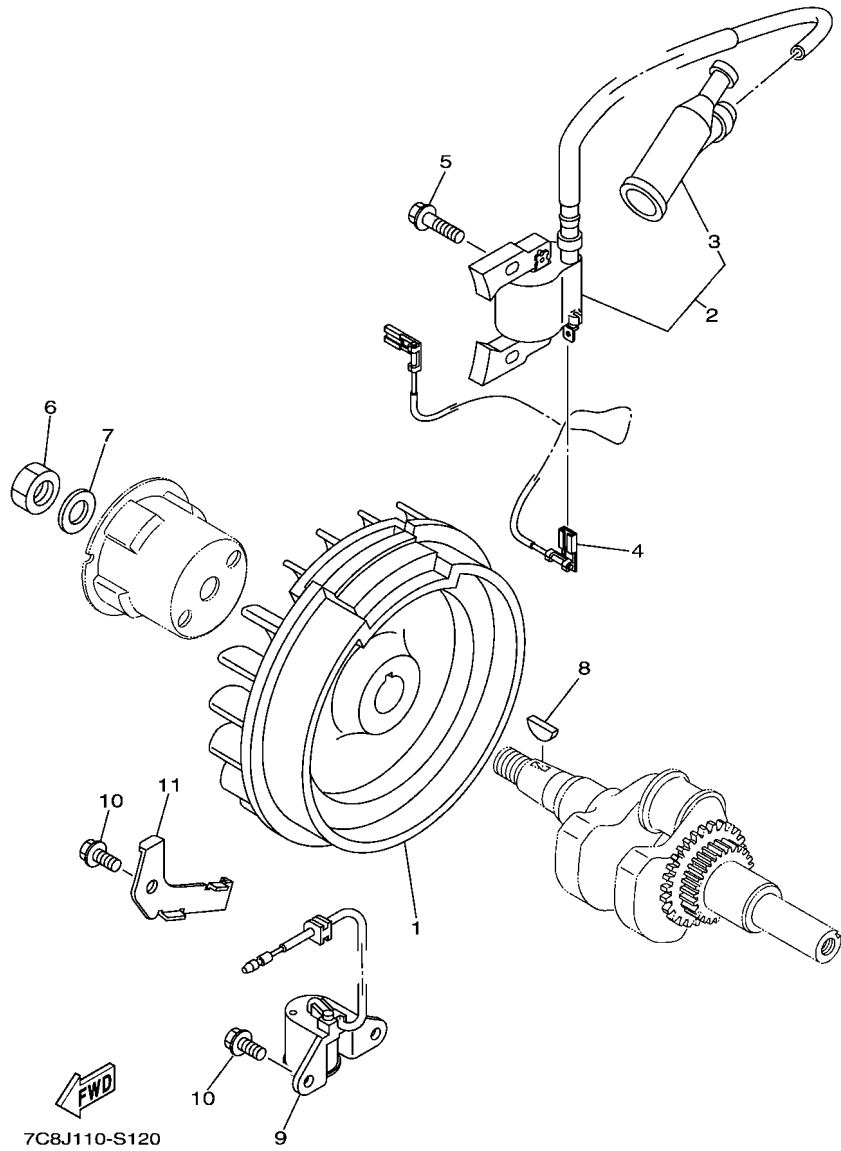
FIG. 11 FUEL TANK



| REF. NO. | PART NO. | DESCRIPTION | 7DB1 | | | | REMARKS |
|----------|--------------|-----------------|------|--|--|--|---------|
| 1 | 7DB-F4110-11 | FUEL TANK COMP. | 1 | | | | |
| 2 | 7CN-F4610-01 | CAP ASSY | 1 | | | | |
| 3 | 7CN-F4612-01 | .PACKING, CAP | 1 | | | | |
| 4 | 7CN-F4167-00 | STRAINER | 1 | | | | |
| 5 | 95812-06025 | BOLT, FLANGE | 1 | | | | |
| 6 | 95702-06500 | NUT, FLANGE | 2 | | | | |
| 7 | 90201-06842 | WASHER, PLATE | 3 | | | | |
| 8 | 7DB-F4311-10 | PIPE, FUEL 1 | 1 | | | | |
| 9 | 90467-09806 | CLIP | 2 | | | | |


7C82400-S120

FIG. 12 TCI MAGNETO



| REF. NO. | PART NO. | DESCRIPTION | 7DB1 | | | | REMARKS |
|----------|--------------|----------------------|------|--|--|--|---------|
| 1 | 7CN-H5650-00 | ROTOR ASSY | 1 | | | | |
| 2 | 7DB-H2300-00 | IGN. ASSY | 1 | | | | |
| 3 | 7DB-H2370-00 | .PLUG CAP ASSY | 1 | | | | |
| 4 | 7DB-H2318-00 | WIRE, SUB-LEAD | 1 | | | | |
| 5 | 95822-06020 | BOLT, FLANGE | 2 | | | | |
| 6 | 90170-14800 | NUT | 1 | | | | |
| 7 | 92902-14200 | WASHER | 1 | | | | |
| 8 | 90280-04801 | KEY, WOODRUFF | 1 | | | | |
| 9 | 7CN-H5720-00 | OIL LEVEL GAUGE ASSY | 1 | | | | |
| 10 | 95822-06012 | BOLT, FLANGE | 3 | | | | |
| 11 | 7CN-H5724-00 | CLAMP | 1 | | | | |

NUMERICAL INDEX

| PART NO. | REF. NO. | PART NO. | REF. NO. | PART NO. | REF. NO. | PART NO. | REF. NO. | PART NO. | REF. NO. | PART NO. | REF. NO. |
|-----------------|----------|--------------|----------|--------------|----------|-------------|----------|----------|----------|----------|----------|
| 7DB-E1111-00 | 1 - 1 | 7DB-E3596-00 | 7 - 2 | 7DB-E5713-00 | 6 - 10 | 90501-20800 | 5 - 5 | | | | |
| 7CN-E1160-00 | 1 - 10 | 7DB-E4147-00 | 8 - 18 | 7DB-E5714-00 | 6 - 8 | 90506-04803 | 4 - 15 | | | | |
| 7CN-E1169-02 | 1 - 12 | 7DB-E4150-00 | 8 - 25 | 7DB-E5714-00 | 6 - 11 | 92902-06200 | 4 - 9 | | | | |
| 7DH-E1181-01 | 1 - 4 | 7DB-E4159-00 | 8 - 24 | 7DB-E5716-00 | 6 - 13 | 92902-14200 | 12 - 7 | | | | |
| 7CN-E1191-00 | 1 - 9 | 7HC-E4162-00 | 8 - 15 | 7DB-E5719-00 | 6 - 15 | 93102-25805 | 10 - 11 | | | | |
| 7CN-E1193-00 | 1 - 13 | 7DB-E416A-00 | 8 - 10 | 7DB-E5723-00 | 6 - 19 | 93102-25806 | 10 - 3 | | | | |
| 7DH-E1400-30 | 2 - 1 | 7DB-E4184-00 | 8 - 12 | 7DB-E5741-00 | 6 - 9 | 93104-06800 | 10 - 4 | | | | |
| 7CN-E1561-00 | 3 - 8 | 7DB-E4185-00 | 8 - 21 | 7DB-E5743-00 | 6 - 12 | 93306-206Y5 | 10 - 2 | | | | |
| 7D9-E1610-00 | 3 - 5 | 7DB-E4186-00 | 8 - 23 | 7CN-E5751-00 | 6 - 16 | 93306-255Y3 | 10 - 10 | | | | |
| 7D9-E1610-10 | 3 - 5 | 7DB-E4191-00 | 8 - 17 | 7CN-E5755-00 | 6 - 17 | 93440-06826 | 4 - 5 | | | | |
| 7D9-E1610-20 | 3 - 5 | 7DB-E4198-00 | 8 - 16 | 7HC-E5793-00 | 6 - 14 | 93450-17828 | 3 - 7 | | | | |
| 7DH-E1631-10-A0 | 3 - 4 | 7DB-E4199-00 | 8 - 4 | 7DB-F4110-11 | 11 - 1 | 94702-00819 | 1 - 8 | | | | |
| 7CN-E1633-00 | 3 - 6 | 7DB-E4212-00 | 8 - 7 | 7DB-F4154-00 | 14 - 1 | 95022-10016 | 10 - 5 | | | | |
| 7DH-E1635-00 | 3 - 4 | 7BX-E4216-00 | 8 - 2 | 7DB-F4161-00 | 14 - 3 | 95622-06700 | 1 - 3 | | | | |
| 7DH-E1636-00 | 3 - 4 | | 8 - 20 | 7CN-F4162-20 | 14 - 4 | 95622-08618 | 1 - 2 | | | | |
| 7CN-E1650-11 | 3 - 2 | 7HC-E4227-00 | 8 - 14 | 7CN-F4167-00 | 11 - 4 | 95702-06500 | 7 - 13 | | | | |
| 7CN-E1654-00 | 3 - 3 | 7HC-E4239-00 | 8 - 3 | 7DB-F4311-10 | 11 - 8 | | 11 - 6 | | | | |
| 7CN-E1913-00 | 4 - 2 | 7DB-E4275-00 | 4 - 19 | 7CN-F4610-01 | 11 - 2 | 95702-08500 | 9 - 11 | | | | |
| 7CT-E1914-00 | 4 - 3 | 7DB-E4293-00 | 8 - 9 | 7CN-F4612-01 | 11 - 3 | 95704-06500 | 9 - 14 | | | | |
| 7CN-E1917-00 | 4 - 7 | 7DB-E4301-00 | 8 - 1 | 7PB-F817K-00 | 14 - 5 | 95802-06008 | 13 - 5 | | | | |
| 7CN-E1922-00 | 4 - 8 | 7DB-E4366-00 | 8 - 5 | 7DB-G1240-01 | 4 - 16 | 95802-06010 | 6 - 4 | | | | |
| 7DB-E1924-00 | 4 - 11 | 7DB-E4411-00 | 7 - 6 | 7UC-G384A-00 | 7 - 1 | 95802-06012 | 6 - 2 | | | | |
| 7DB-E1925-00 | 4 - 26 | 7DB-E4412-00 | 7 - 7 | 7DB-H2300-00 | 12 - 2 | | 6 - 6 | | | | |
| 7DB-E1928-00 | 4 - 14 | 7DB-E4430-00 | 7 - 8 | 7DB-H2318-00 | 12 - 4 | 95802-06016 | 7 - 14 | | | | |
| 7DB-E1932-00 | 4 - 22 | 7DB-E4439-00 | 7 - 12 | 7DB-H2319-00 | 13 - 3 | 95812-06025 | 11 - 5 | | | | |
| 7HC-E1933-00 | 4 - 20 | 7DB-E4450-00 | 7 - 9 | 7DB-H2370-00 | 12 - 3 | 95822-06008 | 9 - 10 | | | | |
| 7CN-E1970-10 | 4 - 1 | 7DB-E4611-00 | 9 - 13 | 7PB-H2550-00 | 13 - 1 | 95822-06012 | 1 - 14 | | | | |
| 7CN-E1971-00 | 10 - 9 | 7DB-E4613-00 | 9 - 15 | 7CN-H5650-00 | 12 - 1 | | 4 - 25 | | | | |
| 7DH-E2111-10 | 5 - 2 | 7DB-E4623-00 | 9 - 12 | 7DB-H5690-00 | 13 - 4 | | 12 - 10 | | | | |
| 7CN-E2117-00 | 5 - 6 | 7DB-E4689-00 | 8 - 19 | 7CN-H5720-00 | 12 - 9 | 95822-06020 | 12 - 5 | | | | |
| 7CN-E2118-00 | 5 - 7 | 7DB-E4708-00 | 9 - 9 | 7CN-H5724-00 | 12 - 11 | 95822-08035 | 10 - 13 | | | | |
| 7DH-E2119-01 | 5 - 14 | 7DB-E4711-10 | 9 - 1 | 90105-068C0 | 6 - 18 | 95822-08045 | 1 - 6 | | | | |
| 7CN-E2121-00 | 5 - 3 | 7DX-E4775-00 | 9 - 5 | 90170-14800 | 12 - 6 | 95822-08065 | 1 - 5 | | | | |
| 7CN-E2151-00 | 5 - 8 | 7DX-E4777-00 | 9 - 4 | 90173-06802 | 4 - 13 | 97522-06530 | 4 - 12 | | | | |
| 7CN-E2153-00 | 5 - 4 | 7DX-E477R-00 | 9 - 6 | 90175-06809 | 7 - 11 | 98502-04006 | 4 - 23 | | | | |
| 7CN-E2154-00 | 5 - 13 | 7DX-E4788-00 | 9 - 3 | 90201-06842 | 4 - 4 | 98502-05008 | 13 - 2 | | | | |
| 7DB-E2155-00 | 5 - 12 | 7CA-E4799-00 | 9 - 2 | | 4 - 6 | 98502-05016 | 4 - 21 | | | | |
| 7CN-E2157-01 | 5 - 10 | 7CA-E479E-00 | 9 - 7 | | 11 - 7 | 98502-05545 | 4 - 17 | | | | |
| 7CN-E2158-01 | 5 - 11 | 7HC-E4922-00 | 8 - 8 | 90201-17802 | 9 - 8 | 99001-04600 | 4 - 24 | | | | |
| 7CN-E2165-00 | 5 - 9 | 7DB-E4942-00 | 8 - 6 | 90280-04801 | 12 - 8 | 99530-08016 | 10 - 7 | | | | |
| 7CN-E2180-00 | 5 - 1 | 7DB-E4A42-20 | 8 - 11 | 90282-05035 | 3 - 1 | 99530-10114 | 1 - 7 | | | | |
| 7DB-E2621-00 | 6 - 1 | 7DB-E4A43-77 | 8 - 22 | 90430-10801 | 10 - 6 | | | | | | |
| 7DB-E2629-00 | 14 - 2 | 7DB-E4A81-00 | 8 - 13 | 90430-17801 | 10 - 15 | | | | | | |
| 7DB-E262E-00 | 6 - 5 | 7DB-E5121-00 | 10 - 1 | 90430-33801 | 7 - 10 | | | | | | |
| 7DB-E2651-00 | 6 - 3 | 7BX-E536A-00 | 10 - 14 | 90445-13812 | 1 - 11 | | | | | | |
| 7DB-E3557-00 | 7 - 4 | 7DB-E5411-00 | 10 - 8 | 90467-09806 | 11 - 9 | | | | | | |
| 7CN-E3557-12 | 7 - 3 | 7CN-E5451-10 | 10 - 12 | 90468-18800 | 4 - 10 | | | | | | |
| 7CN-E3567-12 | 7 - 5 | 7DB-E5710-00 | 6 - 7 | 90501-090A8 | 4 - 18 | | | | | | |