



PARTS CATALOGUE



MZ80V2-20i

MODEL CODE	MODEL NAME	SPECIFICATION (OUT LINE)	ENGINE SERIAL NO.
7DXC	MZ80V2-20i	P.T.O. SHAFT V TYPE, MOUNT FACE (mm)	

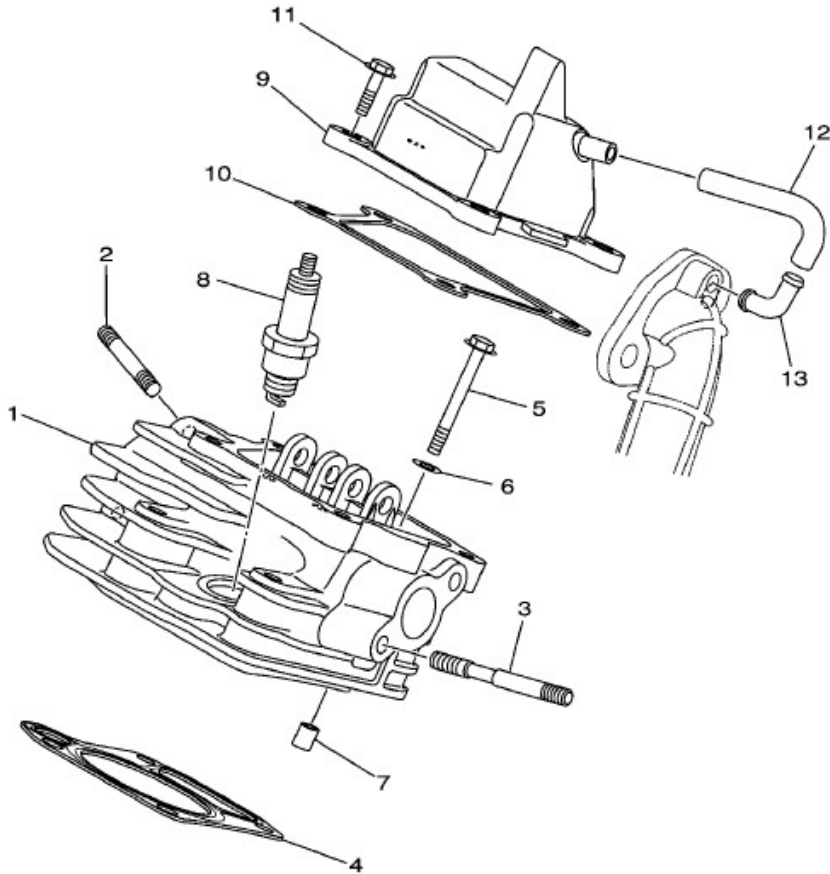
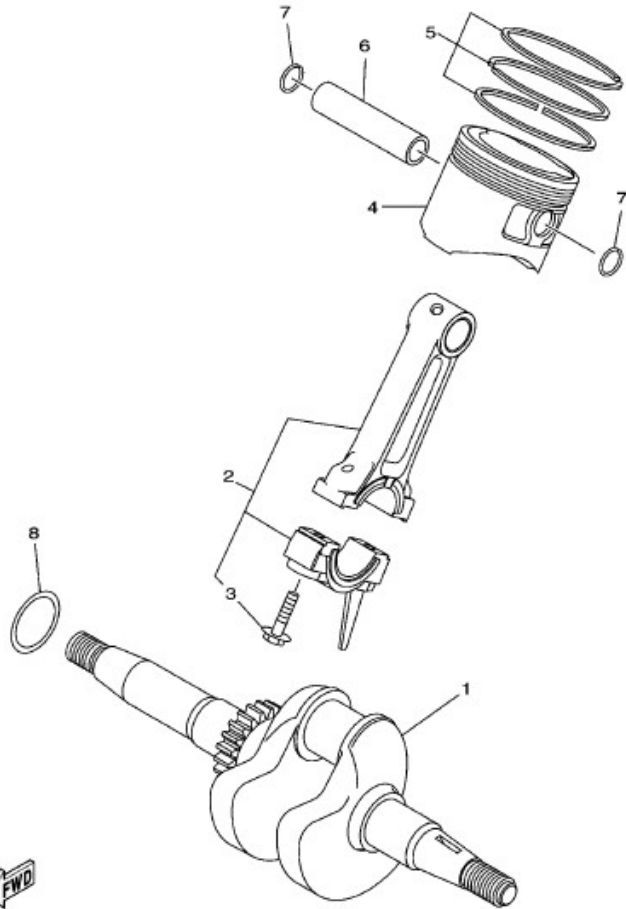


FIG. 1 CYLINDER

NO.	PART NO.	DESCRIPTION
1	7DX-E1111-01	HEAD, CYLINDER 1
2	95602-06615	BOLT,STUD
3	7DX-E1179-00	BOLT, STUD
4	7DX-E1181-10	GASKET, CYLINDER HEAD 1
5	95822-06050	BOLT, FLANGE
6	92902-06200	WASHER
7	99530-08012	PIN, DOWEL
8	94702-00821	PLUG, SPARK(NGK BPR6HS)
9	7DX-E1190-00	COVER, CYLINDER HEAD 1
10	7DX-E1351-00	GASKET, CYLINDER
11	95822-06016	BOLT,FLANGE
12	7DX-E1166-00	PIPE,BREATHER1
13	7DX-E111J-00	PIPE1

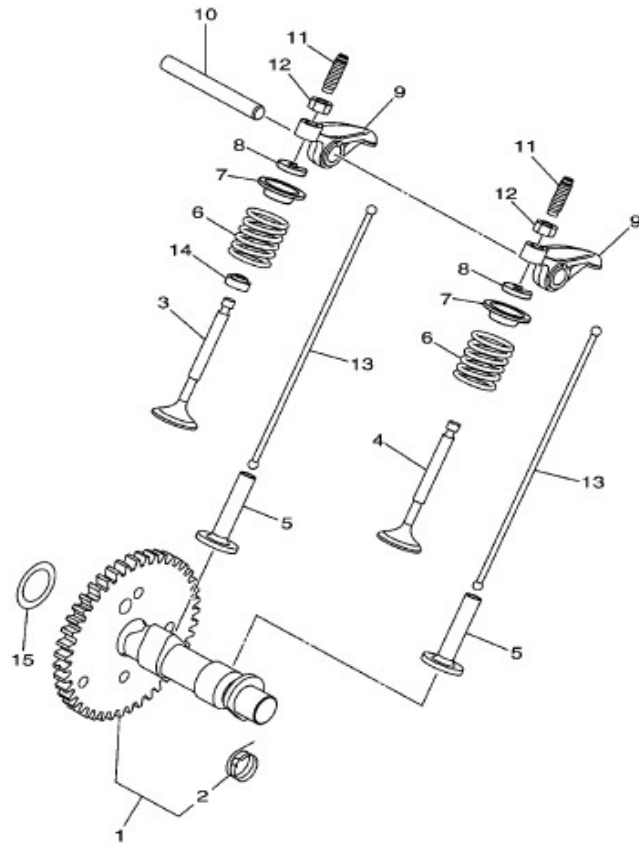
FIG. 2 CRANKSHAFT & PISTON

	PART NO.	DESCRIPTION	
1	7DX-E1400-10	CRANKSHAFT ASSY	
2	7DX-E1650-00	CONNECTING ROD ASSY	
3	7DX-E1654-00	BOTL ,CONNECTING ROD	
4	7DX-E1631-00-A0	PISTON(STD)	
	7DX-E1635-00	PISTON(0.25MM O/S)	
	7DX-E1636-01	PISTON(0.50MM O/S)	
5	7CY-E1610-00	PISTON RING SET (STD)	
	7CY-E1610-10	PISTON RING SET (0.25MM O/S)	
	7CY-E1610-20	PISTON RING SET (0.50MM O/S)	
6	7DX-E1633-00	PIN,PISTON	
7	93450-13819	CIRCLIP	
8	7DX-E1651-00	SHIM,CRANK 1	



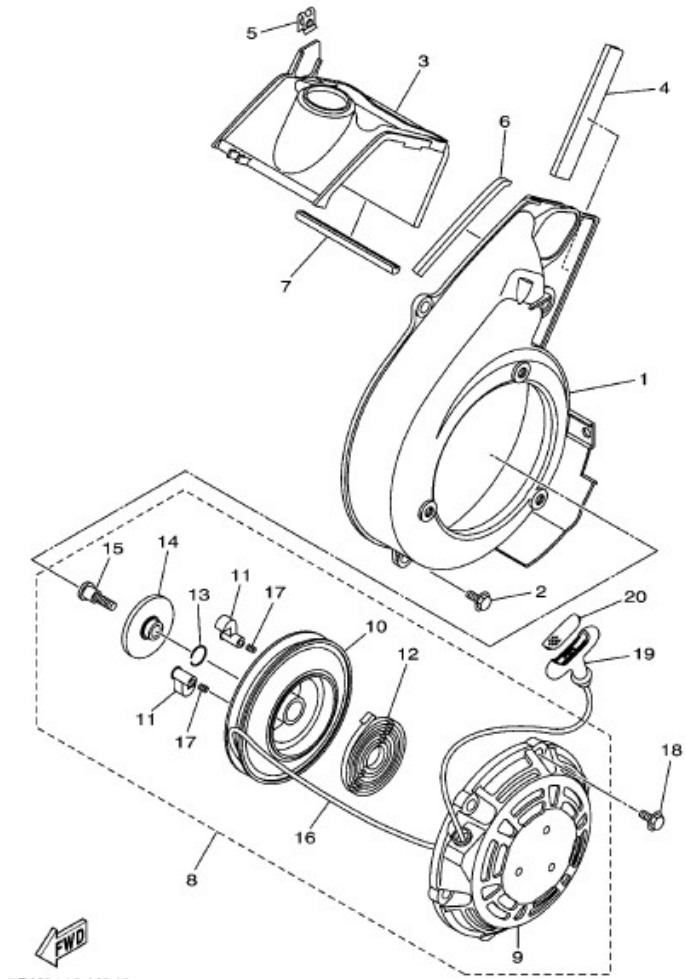
7DK2110-H020

FIG. 3 CAMSHAFT&VALVE




7DK2110-H030

NO.	PART NO.	PART NAME	
1	7DX-E2170-00	CAMSHAFT ASSY 2	
2	7DX-E2287-00	.SPRING, DECOMPRESSION	
3	7DX-E2111-00	VALVE, INTAKE	
4	7DX-E2121-00	VALVE, EXHAUST	
5	7DX-E2153-00	LIFTER, VALVE	
6	90501-20800	SPRING, COMPRESSION	
7	7DX-E2117-00	RETAINER, VALVE SPRING	
8	7DX-E2118-00	COTTER, VALVE	
9	7DX-E2151-00	ARM, VALVE ROCKER	
10	7DX-E2156-00	SHAFT,ROCKER 2	
11	7CT-E2159-00	SCREW,VALVE ADJUSTING	
12	90170-05806	NUT,	
13	7DX-E2154-00	ROD, VALVE PUSHER	
14	7DX-E2119-01	SEAL, VALVE STEM	
15	7DX-F5153-00	SHIM,CAMSHAFT	



7DK2110-H040

FIG. 4 AIR SHROUD & STARTER

NO.	PART NO.	PART NAME	
1	7DX-E2621-00	CASE, FAN	
2	95802-06016	BOLT, FLANGE	
3	7DX-E2651-00	AIR SHROUD, CYLINDER 1	
4	90520-05800	DAMPER, PLATE	
5	7DX-E261D-00	NUT, SPRING 1	
6	7CP-E262J-00	PAD ,FAN CASE 3	
7	90520-05801	DAMPER , PLATE	
8	7DX-E5710-00	STARTER ASSY	
9	7DX-E5711-00	CASE SYARTER	
10	7DX-E5714-00	DRUM SHAVE	
11	7CN-E5741-01	PAWL DRIVE	
12	7CN-E5713-00	SPRING STARTER	
13	7CN-E5715-00	SPRING FRICTION	
14	7DX-E5716-00	PLATE DRIVE	
15	7DX-E5751-00	SCREW	
16	7DX-E5755-00	WIRE STARTER	
17	7DX-E5734-00	SPRING RETURN	
18	95807-06016	BOLT, FLANGE	
19	7DK-15755-00	HANDLE, STARTER	
20	7DK-15720-00	CAP, HANDLE	

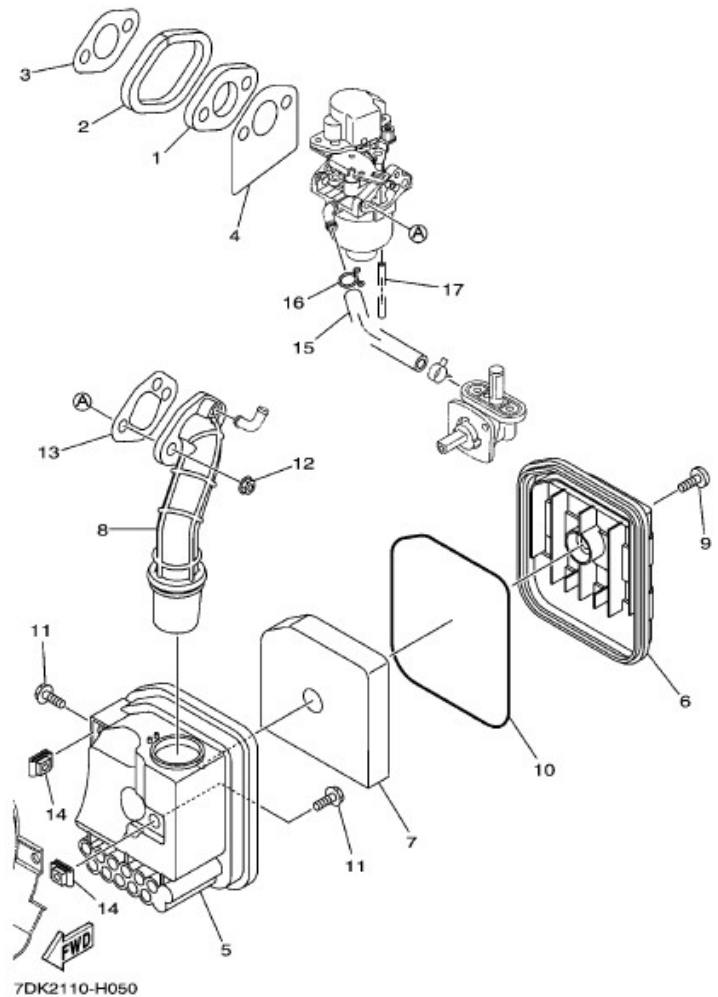
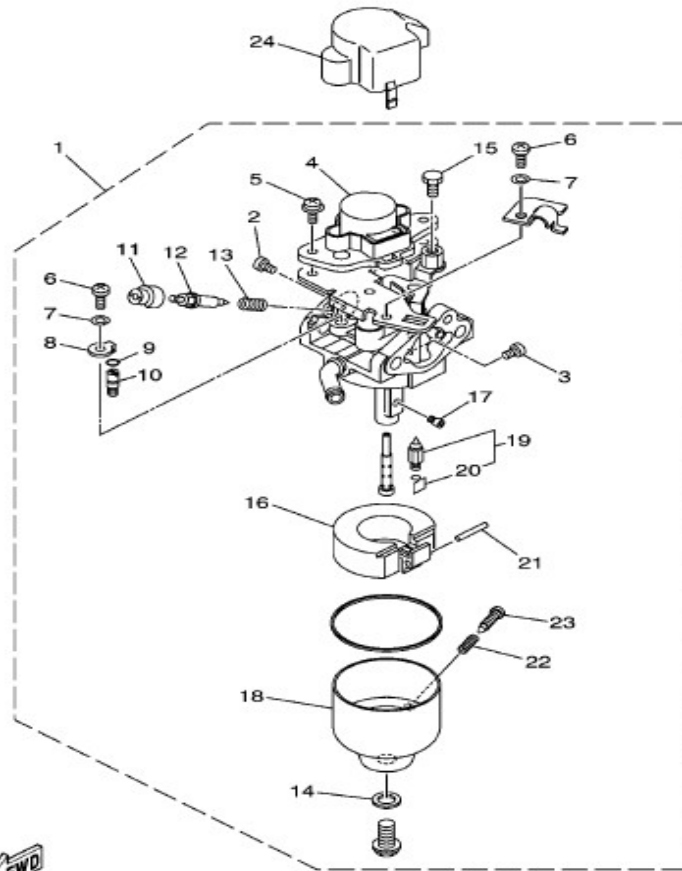


FIG. 5 INTAKE

NO.	PART NO.	PART NAME	
1	7DX-E3595-00	JOINT,	
2	7DX-E3593-00	DAMPER	
3	7DX-E3556-00	GASKET MAINFOLD	
4	7DX-E3556-10	GASKET MAINFOLD	
5	7DX-E4411-00	CASE AIR CLEANER	
6	7DX-E4412-00	CAP,CLEANER CASE 1	
7	7DX-E4451-00	ELEMENT, AIR CLEANER	
8	7DX-E4453-00	JOINT, AIR CLEANER 1	
9	90154-06823	SCREW, BINGDING	
10	7DX-E4467-00	SEAL	
11	95807-06020	BOLT, FLANGE	
12	95707-06500	NUT,FLANGE	
13	7DX-E4416-00	GASKET AIR CLEANER	
14	90183-06808	NUT,SPRING	
15	7DX-F4311-00	PIPE FUEL 1	
16	90467-09804	CLIP	
17	7DK-14148-00	PIPE	



7DK2110-H061

FIG. 6 CARBURETOR

NO.	PART NO.	PART NAME	
1	7DX-E4101-00	CARBURETOR ASSY 1	
2	7RH-14216-00	SCREW	
3	7RH-14486-00	SCREW,ROD	
4	7DK-81802-00	MOTOR UNIT ASSY	
5	4SV-24453-00	SCREW,	
6	98507-05008	SCREW, PAN HEAD	
7	92990-05100	WASHER SPRING	
8	7CU-E4527-00	PLATE	
9	2H0-14147-00	O-RING	
10	7CU-E4142-37-A0	JET PILOT(# 37.5)	
11	7CP-E4118-00	CAP	
12	7CU-E4211-00	SCREW PILOT ADJUSTING	
13	73A-14212-10	SPRING	
14	7G0-14227-00	WASHER	
15	78G-14496-00	BOLT,	
16	7EG-14185-00	FLOAT	
17	1HX-1423A-64-A0	SCREW,	
18	7TD-14181-00	BODY,FLOAT CHAMBER 1	
19	7LG-14150-11	NEEDLE ASSY	
20	7EG-14159-00	CLIP	
21	7CN-E4186-00	PIN FLOAT	
22	73A-14212-00	SPRING	
23	7E1-14191-00	PLUG DRAIN	
24	7DK-14293-00	COVER	

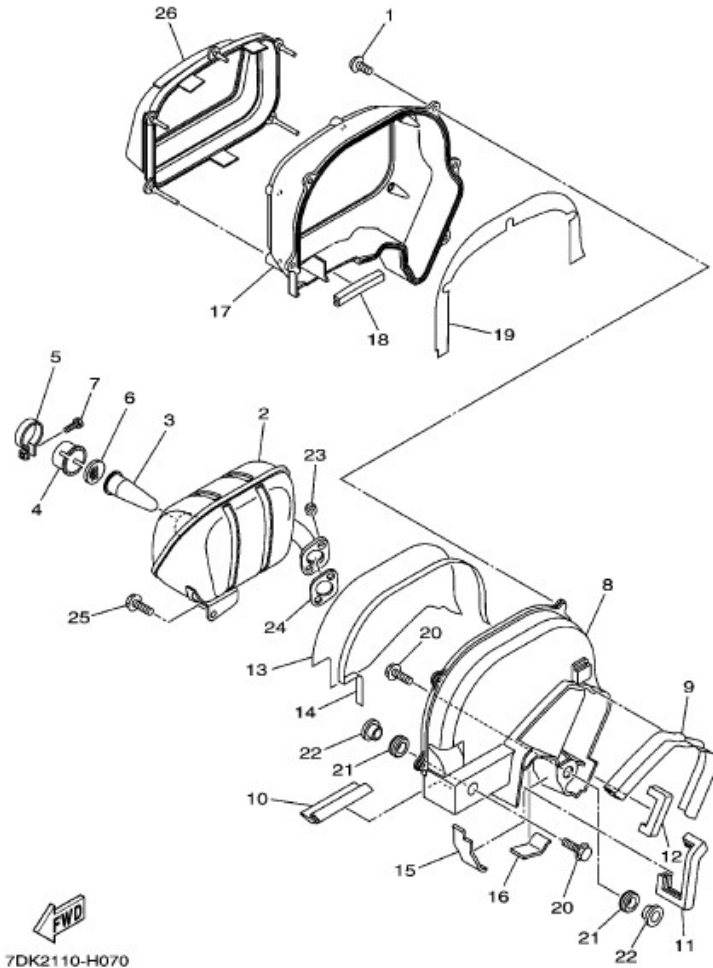


FIG. 7 EXHAUST

NO.	PART NO.	PART NAME
1	97702-50014	SCREW,TAPPING
2	7DX-E4721-00	MUFFLER
3	7DX-E4786-00	ARRESTER SPARK
4	7CA-E4799-00	CAP
5	7CA-E4788-00	BAND SILENCE
6	7CA-E479E-00	NET WIRE
7	90153-05800	SCREW HEXAGON
8	7DX-E4718-00	PROTECTOR MUFFLER 1
9	7DX-E4452-00	SEAL
10	7DX-E4457-00	SEAL
11	7DX-E5494-00	SEAL PROTECTOR
12	7DX-E5495-00	SEAL PROTECTOR 1
13	7DX-E2684-00	DAMPER DUCT
14	7DX-E2686-00	DAMPER DUCT 3
15	7DX-E5496-00	SEAL PROTECTOR 2
16	7DX-E549D-00	SEAL PROTECTOR
17	7DX-E4728-00	PROTECTOR MUFFLER 2
18	7DX-E5495-00	SEAL PROTECTOR 1
19	7DX-E2685-00	DAMPER, DUCT
20	95822-06016	BOLT FLANGE
21	90480-12232	GROMMENT
22	90387-088V6	COLLAR
23	95307-06600	NUT
24	7DX-E4613-00	GASKET EXHAUST PIPE
25	95827-06014	BOLT FLANGE
26	7DX-E2691-00	DUCT

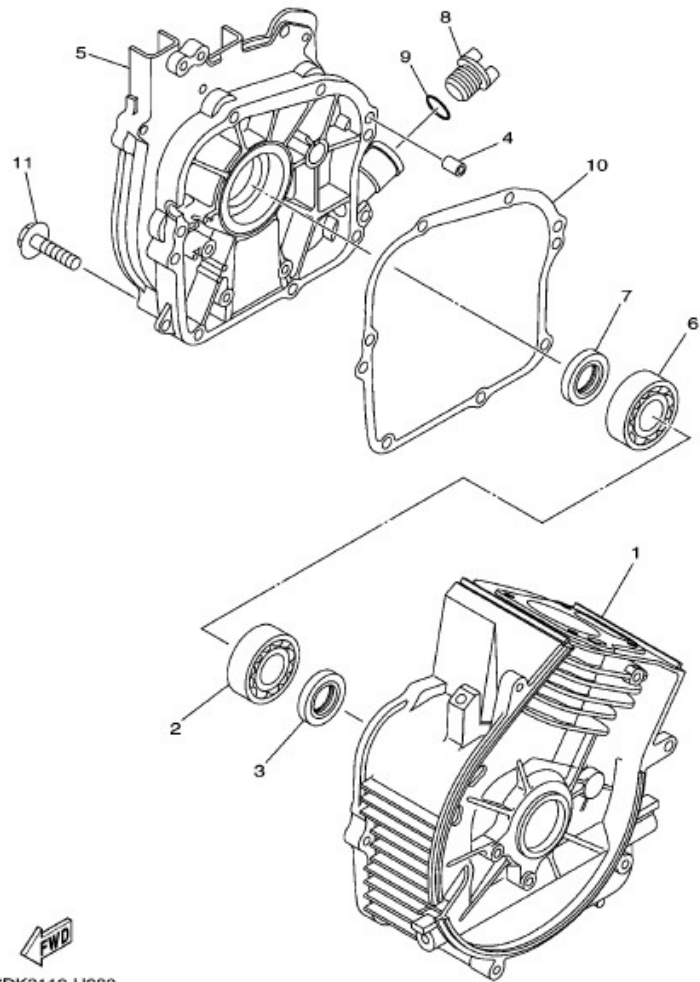
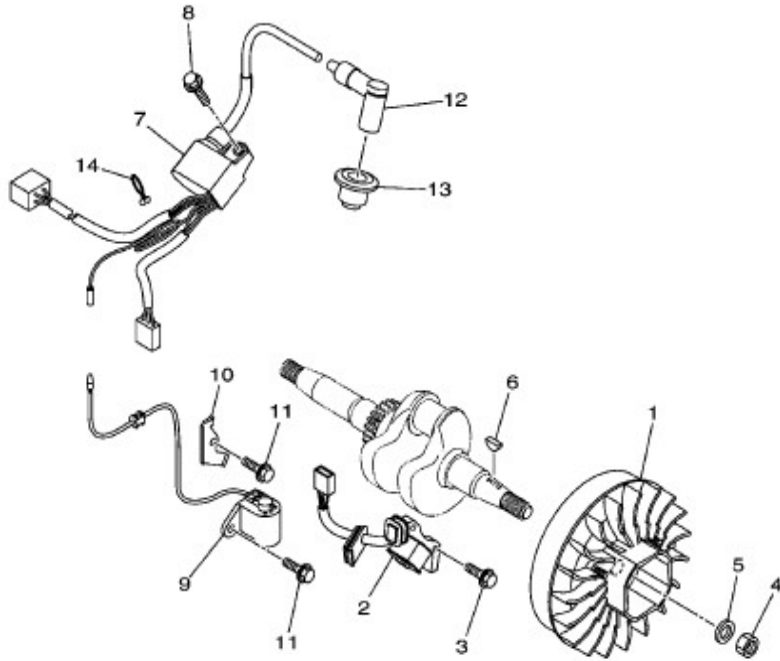


FIG. 8 CRANK CASE

NO.	PART NO.	PART NAME	
1	7DX-E5111-00	CRANKCASE 1	
2	93306-204YY	BEARING	
3	93102-20802	OIL SEAL	
4	99530-08012	PIN, DOWEL	
5	7DX-E5411-00	COVER, CRANKCASE	
6	93306-204YY	BEARING	
7	93102-20802	OIL SEAL	
8	7DX-E5363-00	PLUG OIL	
9	93210-15803	O-RING	
10	7DX-E5451-00	GASKET,CRANKCASE COVER 1	
11	95822-06020	BOLT, FLANGE	

FIG. 9 TCI MAGNETO



NO.	PART NO.	PART NAME
1	7DX-H5550-00	ROTOR ASSY
2	7DX-H5521-00	COIL ASSY
3	95822-06020	BOLT FLANGE
4	95302-12700	NUT
5	92902-12600	WASHER PLATE
6	90280-03045	KEY WOODRUFF
7	7DX-H2310-00	IGNITION COIL ASSY
8	95802-06020	BOLT FLANGE
9	7DX-H5720-00	OIL LEVEL GAUGE ASSY
10	7DX-H5724-00	CLAMP
11	95822-06012	BOLT FLANGE
12	7CN-H2370-00	PLUG CAP ASSY
13	7CP-H2372-00	SEAL PLUG CAP
14	90464-16805	CLAMP